

# **System Interface**

**SI-01 DUAL BUFFER**

***OWNER'S MANUAL***

**Musicom**  **AB**  
*Preserving Your Tone, Pure and Dynamic*

# 1. Introduction

Thank you for purchasing the Musicom Lab System Interface.

The System Interface(SI-01) has two high-quality buffers. The first buffer is based on Discrete Class-A and the second buffer is based on Low-Noise Op-Amp.

The System Interface prevents the loss of signal level, high frequency and low end punch that is caused by impedance mismatch and cable capacitance.

You can preserve guitar tone by using the buffers in the System Interface at the beginning and end of the the effect chain or at the middle of the effect chain.

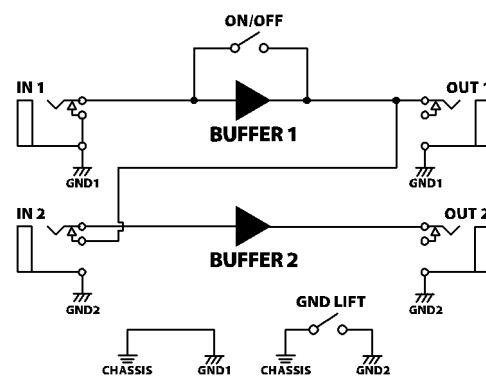
Some Fuzz or Wah pedals don't like to be fed with a buffered signal. For this reason, the first buffer in the System Interface can be bypassed.

You can avoid Ground Hum/Noise that may occur when two buffers are used for different signal routing, because the second buffer is supplied with fully isolated power.

## 1.1 Specification

IN1 / IN 2 Impedance	.....	1 M $\Omega$
OUT1 / OUT2 Impedance	.....	100 $\Omega$
Buffer 1 Maximum Audio Signal Level	.....	+8 dBu
Buffer 2 Maximum Audio Signal Level	.....	+18 dBu
Current Draw	.....	45 mA (only DC9V)
Dimensions	.....	72 x 113 x 31 mm 2.9 x 4.5 x 1.2 inches
Weight	.....	180 g / 0.4 lb

## 1.2 Block Diagram



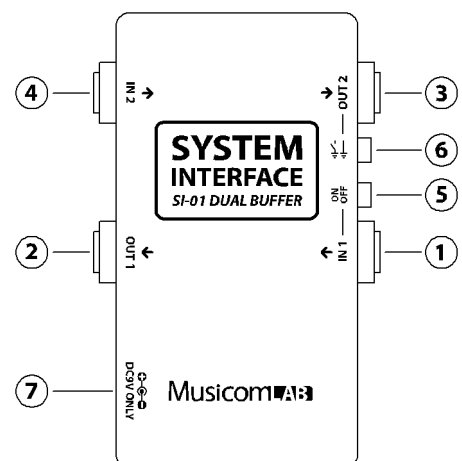
# 2. Jacks and Switches Description

- ① **IN 1**  
Connects the output of a guitar or the output of an effect pedal.
- ② **OUT1**  
Connects the input of an amplifier or the input of an effect pedal.
- ③ **IN 2**  
Connects the output of an effect pedal.
- ④ **OUT2**  
Connects the input of an amplifier.
- ⑤ **Buffer 1 On/Off Switch**  
Selects whether to turn on/off the Buffer 1.  
The Buffer 1 is turned on when pressed position, and the Buffer 1 is turned off when unpressed position.

- ⑥ **Buffer 2 Ground Lift Switch**  
Selects whether to connect to the Buffer 2 ground to the chassis ground or not.  
The Buffer 2 ground is disconnected to the chassis ground when pressed position, and the Buffer 2 ground is connected to the chassis ground when unpressed position.

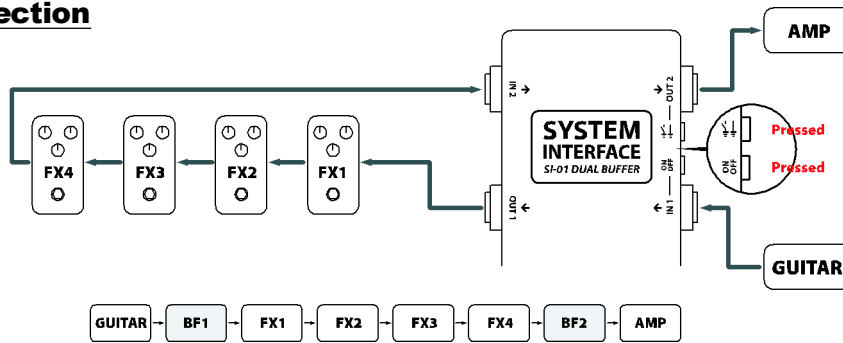
- ⑦ **DC9V Power Connector**  
This is the main power input for the System Interface. The System Interface requires a **DC9V** supply.  
The current draw is approximately **45mA** at **DC9V (Center Negative)**.

*Note : Do not supply power higher or lower than DC9V. Internal electronic components may be damaged.*

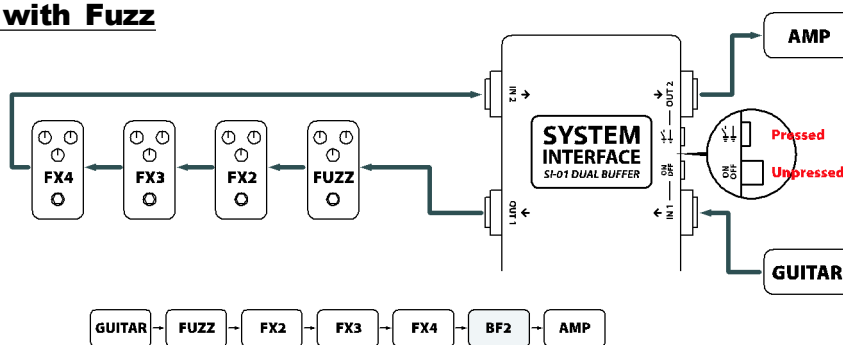


### 3. Connection Examples

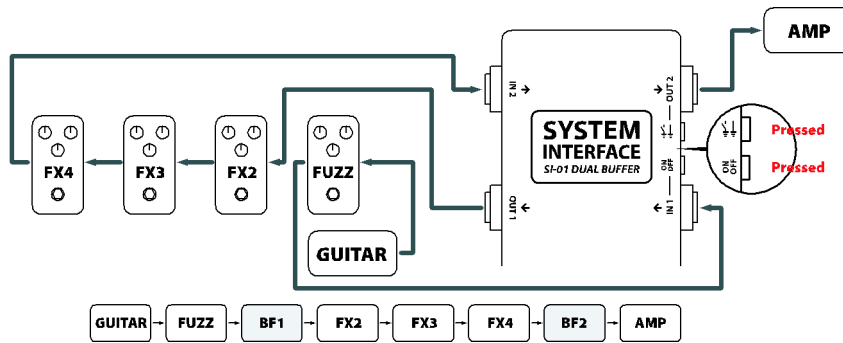
#### Basic Connection



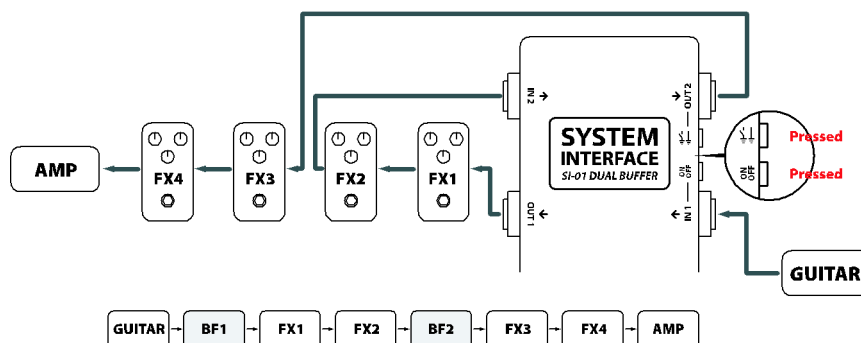
#### Connection with Fuzz



or

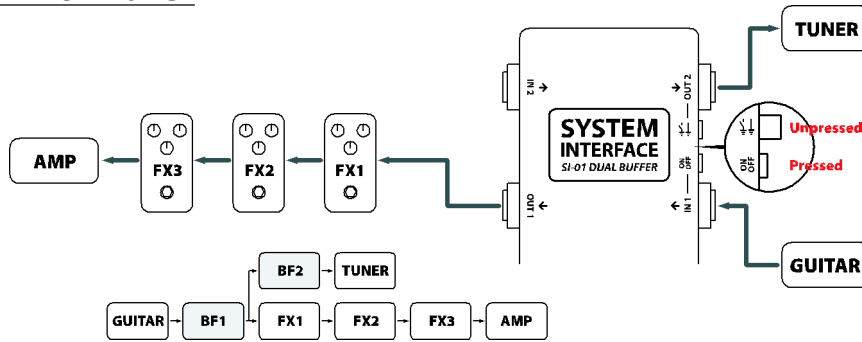


#### Connection for Impedance Mismatch

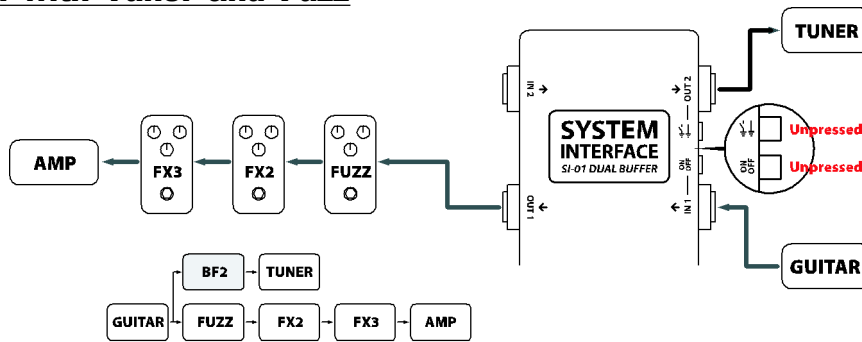


This connection can be used when the FX2 output impedance is high or the FX3 input impedance is low.

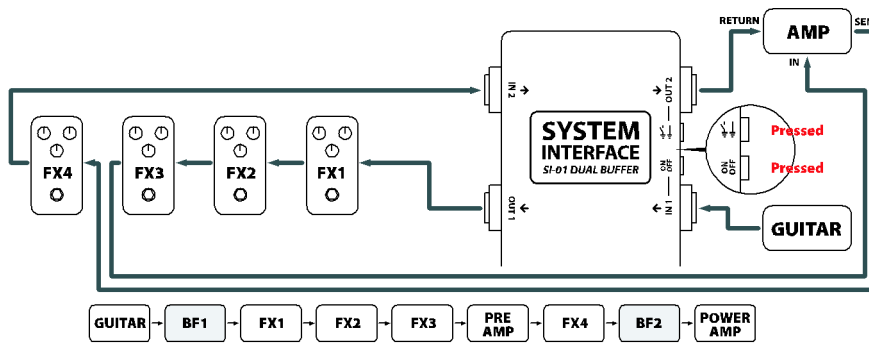
### Connection with Tuner



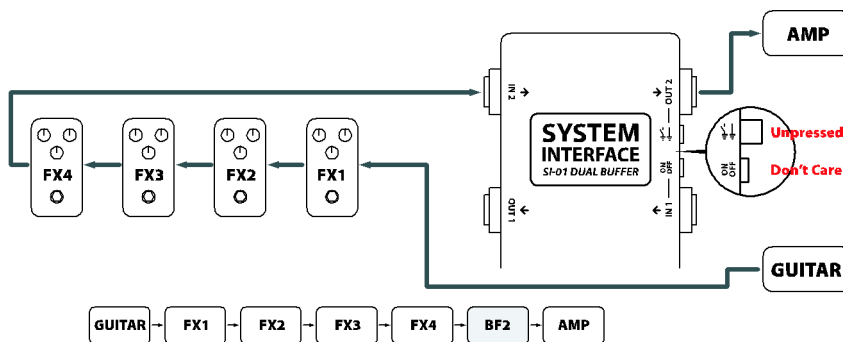
### Connection with Tuner and Fuzz



### Connection with AMP FX Loop



### Connection without IN1 and OUT1



## **SAFETY PRECAUTIONS**



### **WARNING**

- To reduce the risk of fire or electric shock, do not expose this appliance to rain or moisture.
- Do not cause electrostatic discharge to the device.

### **CAUTION**

- To reduce the risk of fire or electric shock, do not remove screws.
- There are no user serviceable parts inside.
- Refer servicing to qualified service personnel.

## **WARRANTY**

Musicom Lab warrants this product against any defects that are due to defective parts or faulty workmanship for a period of one year from the date of original retail purchase. During this one year period, Musicom Lab will repair it without charge for parts or labor. However shipping charges to and from the repair location must be paid by the owner.

- This warranty applies only to the original owner and is not transferable.
- This warranty does not include damage to the product resulting from accident or misuse.
- This warranty shall not apply to any goods that have been repaired or altered by anyone other than the manufacturer.

**Contact the following for support and/or repair service.**

Mail : Musicom Lab  
15-4, Seooreung-ro 15-gil, Eunpyeong-gu, Seoul, 03426, South Korea

Website : <http://www.musicomlab.com>

Email : [support@musicomlab.com](mailto:support@musicomlab.com)

Facebook : [www.facebook.com/musicomlab](http://www.facebook.com/musicomlab)